

C Series Garden Tractor - Wheels and Tyres

TYRES AND WHEELS

Countax Tractors are fitted with grassland tyres that are designed to present a large area to the ground for grip and are of soft profile to prevent marking your turf. They are of thicker section and tougher than most 4 ply tyres. Persistent punctures and tyre deflation are nevertheless a problem experienced by around 5% of Countax customers. This is not a problem just for Countax owners - it is shared by the users of all types of off-road machinery fitted with pneumatic tyres. In practically every case there is a common cause - THORN'S! Blackthorn, Hawthorn and Rose are usually at the bottom of the problem and will puncture any tyre not fitted with very expensive guards.

There are less expensive ways to overcome this problem - so check and avoid these possible causes:

1. The rim of the wheel has been damaged - breaking the seal on the tubeless tyre. There are two possible solutions:
 - If the damage is not severe, treat with Countax Tyre Sealant (Pt No. 52903501).
 - If the damage is significant - order a new wheel from your dealer.
2. If you have Hawthorn, Blackthorn or Wild Rose in your hedges - this will puncture any tyre. It makes sense to check any area you intend to cut or drive over and to remove any branches.

The long-term solution is to treat all four tyres with Countax Tyre Sealant - follow the instructions on the bottle.

IF YOUR TYRES SPIN OR LOSE GRIP CHECK:

1. Are the tyres correctly inflated? - check pressures on back page.
2. Are you going too fast for the conditions?

REMOVAL OF FRONT WHEEL - Fig 58

1. Apply Parking Brake.
2. Place chocks under all wheels that are to remain on the ground.
3. Remove the hubcap.
4. Use a 3/4" socket/spinner and ratchet to slacken off the wheel nut - do not remove!
5. Place a jack under the front axle (Fig 58) and jack up until the wheel to be removed is well clear of the ground.
6. Remove the nut and washers and keep safely.
7. Pull off the wheel carefully - Taking care not to dislodge the tractor from the jack.

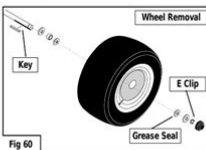
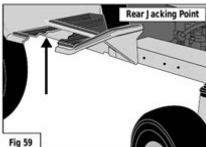
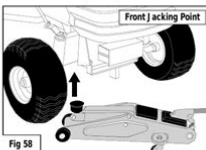
When the tyre is repaired, replace the wheel preferably using a new 1/2" Nyloc nut (Part No. 64822400). Tighten to a torque setting of 5.25kg m (38lbft).

REMOVAL OF REAR WHEEL - Fig 59 & 60

1. Apply Parking Brake.
2. Place chocks under the wheels that are to remain on the ground.
3. Place the jack under the jacking point on the chassis and raise until the wheel is well off the ground.
4. Remove the hubcap.

5. Using a flat ended screwdriver, lever off the 'E' clip and remove the washers (Fig 60).
6. Pull off the wheel carefully taking care not to dislodge the tractor from the jack.
7. Remove the key from the wheel hub, first removing the grease seal from the front of the hub using a small screwdriver (keep safe with the key, 'E' clip and washers).

When the tyre is repaired, fit the wheel onto the shaft; line up keyways and tap in the key. Pull the wheel forward off the shaft until the grease seal recess is just clear and refit the seal. Then slide the wheel fully on the shaft. Reverse instructions 1-6 to complete the job.



- Page 20 -

File Name: Countax instruction manual.pdf

Size: 2179 KB

Type: PDF, ePub, eBook

Category: Book

Uploaded: 9 May 2019, 16:34 PM

Rating: 4.6/5 from 713 votes.

Download Now!

Please check the box below to proceed.



I'm not a robot



reCAPTCHA
Privacy - Terms

Book Descriptions:

Countax instruction manual

Collector - Drive Belts

It is important that the belt from PTO to collector (Part No. 22950100) is crossed over in the correct direction (fig 1) before being fitted over the collector pulley. The easiest way to do this is to place the belt on the PTO pulley and then stand behind the tractor holding the belt with two hands. Turn the right hand above the left and fit the belt on to the collector pulley.

To check that you have this right - start your tractor and engage the PTO lever and check that the brush is revolving against the forward direction of the tractor (see page 14 fig 1).

To check tension:

1. Lower the collector to the operating position and check the tension using a spring balance.
2. Select a place on the belt midway between the PTO pulley and the collector pulley.
3. Pull and measure the deflection using a ruler (fig 2). It should be 19mm at 2Kgs (4-5lbs).

If the tension needs to be adjusted - first:

1. Relocate the Collector from the tractor. These holes take the nuts and bolts on which the locking arms hinge.
2. To increase tension on the belt undo each nut and bolt and relocate them one or more holes forward (towards the tractor).

To slacken move the bolts back, ideally the bolts should be in the same hole on each locking arm, however fine adjustment to get the right tension may only permit you to move one bolt - this is OK but there should not be more than one hole difference from side to side.

4. Replace the collector on the tractor and re-check the belt tension.

1. First remove collector from the tractor (page 13).

2. To remove the plastic cover, remove the two nuts and bolts (A) using a 1/2" spanner and socket.

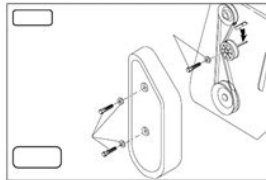
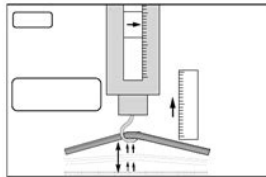
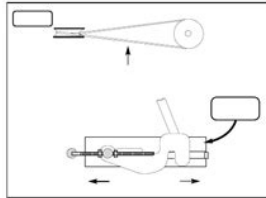
3. Using a 1/2" spanner and socket slacken the nut and bolt (B) holding the tension pulley and slide the pulley out of the way.

4. Remove the belt and fit the Countax replacement (Dayco Super II A38 Part No. 229503000).

5. Tension the belt by sliding back and securing the belt tensioner. The tension is not critical but the belt must not be too tight. The ideal is 13mm (1/2") deflection at 2Kgs (4-5lbs) pull - use a spring balance and ruler or tape to check.

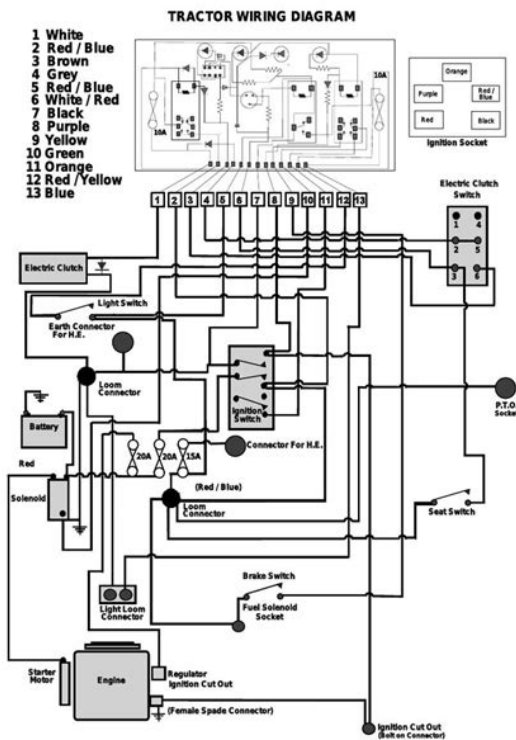
6. Make sure that the rectangular cover plate fits over the adjustment slot - failure to do this will allow cuttings and grit to accumulate and damage the pulleys and belt assembly.

7. Replace the plastic cover.

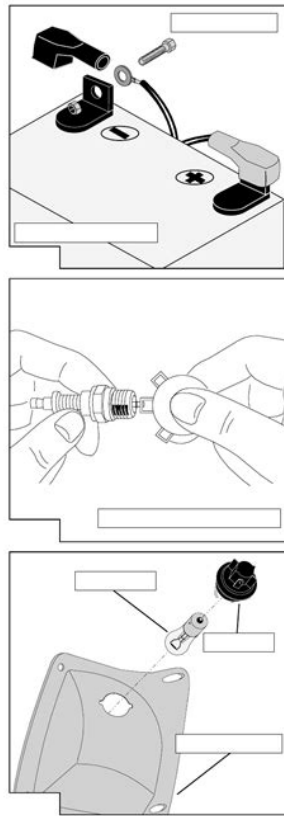


I, the undersigned Adam Bennett of Countax Limited, Great Haseley, Oxford, ENGLAND certify that the lawnmowers. Model C Series Engine manufacturer. Stratton. Honda. Engine type. Petrol. Mass in kg Max rear axle weight kg Cutterbar Power kW. Std width of cutting device Page 1. Operating Instructions. Page 2. Controls. Page 36. Powered Grass Collector PGC. Page 7. Using Your Countax Tractor. Page 89 Page 1012 Cutterbar. Cutterbar. Cutterbar Cutting. Page 13. Cutter Levelling. Page 14 15. Grass Collecting. Page 16. Page 17. Page 18. Electrics. Page 19. Supplementary Instructions. Model A Series. Power kW Page 21. A Series Specifications. Page 22. Personal Service Records. Page 23 Honda. Kawasaki. Mass in kg Max rear axle weight kg Cutterbar. Cutterbar Std width of cutting device. Page 20. Engine manufacturer. Engine operating speed Standards used BS5107, EN292, ISO3767, ISO3864 Tested at Oxford, England. Be familiar with controls and Insufficient wheel grip Driving too fast Incorrect load distribution. Preparation Never remove the cap I declare on behalf of Countax Limited that these machines conform to EC Essential Health and Safety requirements. Signed Page 1. Countax Garden Tractors Personal Service Record. Countax Garden Tractors Operating Instructions. Safety Be familiar with controls Travel on grass slopes requires particular care to guard Always keep the machine in drive We recommend the use of STANDARD UNLEADED fuel. Take Off pulley while they are rotating. PGC Connection Lever. Model. Date of Purchase. Date of Registration. Name of Dealer. Serial Number Hours Dealer's Signature. Dealer's Signature Power Take Off PTO Engage Lever. Use this page as a personal record of the service history of your Countax garden tractor. Ask your dealer to stamp the appropriate box at the same time as your Service Record Card. Hours. Fifth Service 60 months Hours. Dealer's Signature. Dealer's Signature Tractor Drive Pedals PGC Net. Cutter Deck. Collector Height Adjustment Lever. Antiscalp Wheel. <http://www.hgbs.de/userfiles/fisher-price-space-saver-high-chair-manual.xml>

- **countax instruction manual, countax service manual, countax rider 30 instruction manual, countax instruction manual, countax instruction manual pdf, countax instruction manual download, countax instruction manual free, countax instruction manual 2016.**



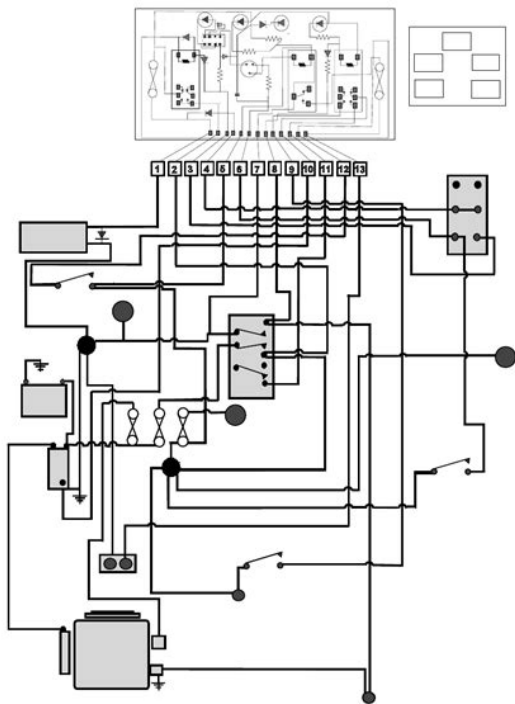
HoursDealer’s Signature. Page 23. Seat Adjustment Figure 1. Weight. Turning Radius. The seat on your Countax tractor is adjustable forward and simply lift the seat latch at the forward speeds. Tyre Pressures Fuel Tank Capacity. Transmission Tuff Torq K62 Hydrostatic. The “key start” controls both the ignition and the starter. The insert the key and turn to the first position, then turn further release when the engine starts. To prevent unauthorised use, always remove the key after use. Figure 1 Choke Figure 3 An independent choke is fitted to some models. This choke should be cancelled. Figure 2. Figure 3. Engine Speed Control Figure 4. The lever is pushed up for FAST. The Choke setting should be the engine should be operated on the FAST setting at all times. Engine Displacement. Power. Torque. Bore. Stroke. Honda Twin. VTwin 14.91kW Honda Twin. VTwin 14.91kW Kawasaki Twin. Cylinder VTwin RPM Meter Figure 5. Hour Meter Figure 5. Your tractor is fitted with an hour meter to assist you in. We recommend that your garden tractor is serviced after service intervals are preset into the PCB memory and will note 50 hours of mowing at 5 mph equates to 250 miles. Page 22. Figure 4. The RPM monitor on the electronic display indicates the. To ensure complete cutting and collection the engine speed. If, when in use, the display does. Page 3. Figure 5. Drive Controls Hydrostatic Figure 6. Figure 6. The forward speed of the tractor is controlled by foot pedal. Pedal A. The further you. Its function is similar. As with the forward pedal, the speed of. Weight PGC Capacity. Forward Speeds Transmission. Tyre Pressures. Tuff Torq K46 Hydrostatic or. Fuel Tank Capacity. C300 Mulcher. C600 Mulcher Transmission 4WD. Pedal B. Stopping. For smooth braking release either. When you turn off the. It’s like leaving your car in gear. Lever C. Figure 7. Neutral Valve Figure 8. The natural braking of hydrostatic transmission means that it. Locate the C Series Neutral. Valve, situated alongside the rear right wheel or the. <http://metabolit.ru/files/file/fisher-price-space-saver-high-chair-user-manual.xml>



A Series, alongside the rear left wheel. Disengage by pulling Make sure you disengage the. Neutral Valve by pushing the lever back BEFORE starting C Series Position. A Series Position. Figure 8. Differential Lock A Series Figure 9. The A Series is fitted with a differential lock for maximum The differential lock In a situation when one wheel starts to Pedal D. Figure 9. Important DO NOT ATTEMPT TO STEER THE TRACTOR Model. Stroke Honda Twin Cylinder Honda Twin Cylinder INTEK 9.32kW Cylinder OHV Page 21. Countax Garden Tractors Supplementary Manual Tractor Instructions. Figure 53. If your tractor is fitted with a manual transmission, the six A pedal to the right of The tractor can be driven off in any of the forward gears, SLOWLY release the pedal to engage drive to the wheels of The cutter switch controls the electromagnetic blade clutch. To switch the cutter on, push the switch and then release it, To indicate that the Cutter. Deck is engaged, the Cutter Deck Indicator will flash Figure Although the Cutter Deck is automatically switched off when Deck should always be switched OFF as soon as you have The Cutter will only work whilst the Should your tractor be fitted with 4WD it will have ESA. This If this angle Release the foot pedal, the Park. Brake should then be locked in position. To release the Park. Park Brake will spring off. Figure 54. The exceptional traction of 4WD will allow you to cut in very DO NOT take the On no account should slopes steeper than 25° be driven on. Figure 55. Cutting Height Lever Manual Lift Tractors To engage the PTO, push the lever down and to the left and The PTO lever is pushed down and to Always have this lever Figure 11d. The Cutter Height Lever is located at the right hand side DOWN for a lower cut or pulling UP for a higher cut. There We recommend that positions Figure 12 To get the best from this refinement use it to continuously Do not make downward adjustments on the move until you Figure 56. Figure 10. Electronic Slope Alert ESA Figure 11d.

Stopping Figure 53. Power TakeOff PTO Manual Tractors Countax Garden Tractors Operating Instructions, Controls. Page 5. Figure 13. Countax Garden Tractors Operating Instructions, Controls. Countax Garden Tractors Troubleshooting Electrical Figure 14. Using the lever figure 16 raise or lower the Powered Grass. Collector to either the Transport position or the Collecting Power TakeOff C Series Figure 17A Figure 52A Figure 16. Power TakeOff A Series Figure 17B. To engage the PTO, push the lever down and to the left and The PTO lever is pushed down and to Always have this

leverCollector. Collecting PositionDOWN to lower. OperateFigure 17A Pressing the rocker switch turns ON the headlights. TurnThe headlights will not operate without the ignition switchFigure 18. Page 6. Page 19Engine Fails to Turn OverFigure 49. If The Engine Misfires, Loses Power or Stalls in. UseFit the Net as shown in Figure 21 with the net rod in position. When removing the net, we suggest you employ the assistance of another person.Repeat other side.If the Engine Turns Over and Does Not StartCountax Garden Tractors Operating Instructions, Powered Grass Collector. Net Rod. Position Y. Figure 19. Locating Lever. Locking Clip. PGC Connection Figure 21. Figure 50. To connect the Powered Grass Collector PGC to the tractor, ensure that both are on an even surface with the lockingLift the seat and the PTO flap so that both are resting in theLocate the collectorSecuring Pin. Installing the Drive Belt Figure 22. Place the drive belt over the PTO pulley of the Powered. Grass Collector, and then feed it underneath the PTO flap. The lower half is pulled left and under the Belt Hook then fedBe sure that this is installed the rightLock the Locating Lever over the Lift. Arm Lugs this also tightens the PTO Drive Belt. RotateTo disconnect, reverse thisDEFLECTION AT 2KGs PRESSURE.Lift Arm. Lugs. Collector. Channels. Locking. Lever. If the Cutter Deck Fails to Operate. ClipsFigure 21Low Fuel Warning Figure 50. Belt Hook.

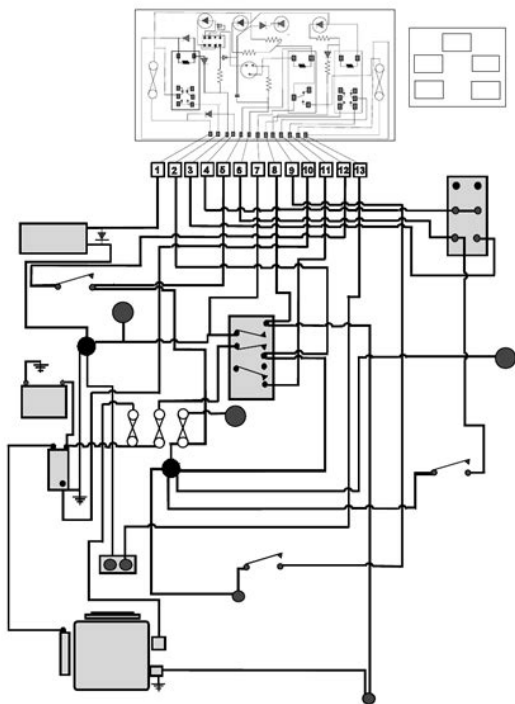


<https://events.citeve.pt/chat-conversation/boss-fv-50l-manual-0>

When the petrol gets low on your tractor a warning willPage 18. Countax Garden Tractors Using your Countax tractorPersistent Flat Tyres. Figure 23. Connect Net Empty Plug to socket as shown in Figure 23. This plug MUST BE FITTED before attempting to use your. Powered Grass Collector. Adjusting the Sweeper Height Figure 24. Using the sweeper Height Lever select the position appropriate to the conditions and the height of cut. TO GET THEThe rim of the wheel has been damaged causing the sealThere are two solutionsSealant Pt No. 52903501.If you have Hawthorn, Blackthorn or Wild Rose in your. It makes sense to checkWhen the collector is full, raise the collector to the transportThen extend theYou can check the contents of the PGC through the clearDrive to your tipping area,Switch Page 6, Figure 15. Figure 46. This is an inevitable problem

faced by around 5% of Countax users. Like all garden machinery, the most common Blackthorn, Hawthorn and Rose are usually at the bottom of the problem and will puncture any tyre not fitted with very expensive guards. There Removal of Front Wheel Figure 46. Figure 24. Standard Grass Collection. When cutting the grass and collecting follow these simple Remember TO GET THE BEST SWEEPING PERFORMANCE REMEMBER if the RPM display Reduce forward speed b Raise the cutting height. Sometimes when cutting long grass or a paddock, it may be Place chocks under the wheels that are to remain on Figure 46 on the side appropriate to the wheel that is When the tyre is repaired, replace the wheel preferably using Check to ensure wheel turns freely. Figure 47. Figure 48. Figure 25 Under the Chassis. Apply Parking Brake. Place chocks under the wheels that are to remain Loosen the the four wheel nuts. Place a jack under the jacking point shown in Figure Once removed, keep safe and remove the wheel. When replacing the wheel retighten the nuts to. Countax Garden Tractors Troubleshooting Grass Collecting. Countax Garden Tractors Mulch Mowing. Grass Collection.

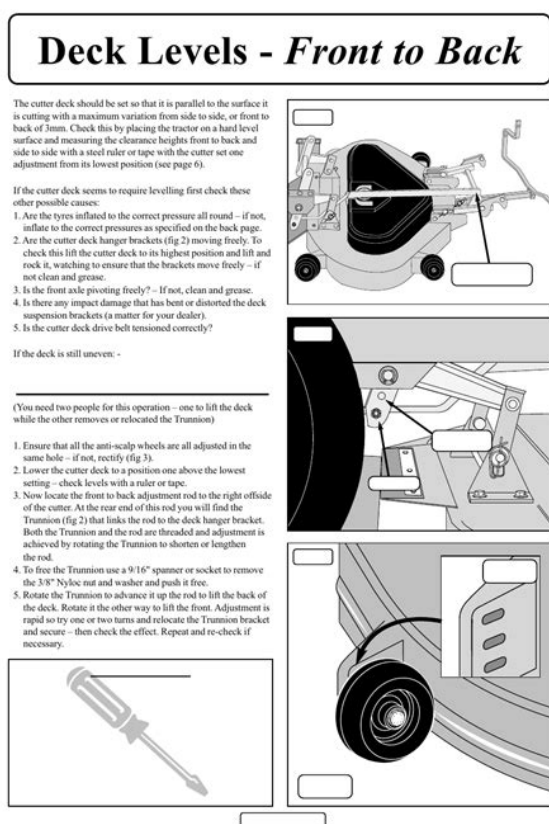
<http://erptrends.com/images/93-f150-owners-manual.pdf>



Mulch Mowing. If your Collector appears to be not picking up satisfactorily, See Page 11. If so, wash or Mulching can save time, avoids creating piles of rotting When Mulch mowing it is If you are still experiencing difficulties with collection please If the grass has grown long Run the engine at maximum speed. Mow often, particularly in spring and early summer. Short clippings of 25mm 1" or less decompose Drive forward at a speed that does not cause the REMEMBER if the RPM display Reduce forward speed b Raise the cutting height. Vary the mowing pattern from cut to cut. Always keep the underside of the cutting deck clean Always check that the blades are sharp and in good Figure 26B. High Grass Mulch Deck Figure 26B. The real alternative when cutting long or paddock grass is When using the high grass When cutting very tall grass set the deck at the higher Drive forward at a speed that does not cause the REMEMBER if the RPM display Reduce forward speed b Raise the cutting height. Regularly check the cutter deck drive belt tension in Page

9. Figure 27. Countax Garden Tractors Routine Maintenance. Countax Garden Tractors Troubleshooting Cutter Levelling. Levelling Side to Side. Engine Maintenance. Please refer to the engine manufacturer's handbook Battery Maintenance Figure 28. The battery fitted to your tractor is a low maintenance sealed Any battery charged on a standard Your dealer will be The battery charger part Cutter Deck Maintenance. Figure 28. The battery in your Countax garden tractor is very similar to that found in The Cutter Deck can be quickly removed for servicing or Figure 29. Follow this sequence DeTensioned. Tensioned. Front of tractor This adjustment is best done with the deck in a position three up REAR ADJUSTMENT Figure 42 or 43 This has a concentric slot in This will move the Deck at the rear, retighten the Nyloc nut. FRONT ADJUSTMENT Figure 44 Manual Deck Lift Side to Side Level. This adjustment is best done with the deck in a position three up To Clean The Cutter Deck.

<http://www.gongoff.com/images/93-ford-escort-service-manual.pdf>



Rear Adjustment. Remove the deck as instructed, stand it on its side and hose. It is best to regularly locate the top lock nut A and loosen this off using a 17mm. Spanner. Now wind the adjuster nut B either up or down using a Use the marks on the plate as When the deck Unsecured. Secured Front Adjustment Spanner. Now wind the adjuster nut B either up or down using a Use the marks on the plate as When the deck Raise and then lower the cutter deck and then recheck the level. If Adjustment. NOTE 38, 44 and 50" Mulch decks must be set 10mm higher at Figure 31. Page 10. Figure 32. Page 15 The Cutter Deck should be set so that it is parallel to the Engine to Cutter Drive Belt Tension. Levelling Front to Back Bracket. Both the Trunnion and the Rod are threaded Countax Garden Tractors Routine Maintenance. Figure 40. For best results, set the AntiScalp Wheels in the middle adjustment holes. If you are experiencing scalping, this can be minimised Front to Back Adjustment Rod. The correct tension of the Cutter Drive Belt is critical. If incorrectly set it can lead to engine damage and invalidate To check the tension put the deck in a middle cutting height If more, the belt tension. To correct the tension, follow this procedure Tension Lever page 10, Figure 29

forward. Trunnion in place on the Deck Tension Cradle Figure Trunnion towards the end of the Rod and reduced Trunnion, retension the Belt with the Belt Tension. Transmission Drive Belt. Figure 33. Figure 34. Belt Tension Rod. The transmission drive belt is self-tensioning. When the drive is disengaged using the hand brake the park brake engages. This setting is adjustable but should be carried out by your Trunnion. Trunnion. Transmission Oil Tank Figure 36. Deck Hanger Bracket. Figure 41. This is located in the Tractor rear body and should be Figure 35. Transmission Oil Tank. Figure 36. Page 14. Page 11. PTO Main Drive Belt. Countax Garden Tractors Troubleshooting Cutting. Figure 37.

The PTO drive belt is self-tensioning when the drive is Accessory Drive Belt Installation Figure 38, 39. The information contained on this, and the following pages To be sure that your warranty Cutter Fails to Start or Cuts Out when Switched On Place the drive belt over the PTO pulley of the. Powered Grass Collector. If the belt Tension is incorrect, movement of the sweeper. Locking Levers on the threaded rod can adjust it. Ensure the Belt tension should be set in the working position.

Check Uneven Cutting. Check C Series. A Series. Figure 38 Slips and Overheats. Check Figure 29 We do not recommend that customers attempt to change It is cheaper and better to The Cutter Deck should be set so that it is parallel to the Check this by placing the If the Cutter Deck seems to require levelling, first check The deck suspension brackets are moving freely and That the deck is level from side to side and back to That one or more of the cutter blades are not worn or Other Figure 39.

Check Cut is Uneven or Untidy in One or More Sectors. Check Page 12. Page 13 Are the Cutter Deck Hanger brackets Figure 41 To check this, Is there any impact damage that has bent or distorted. You must have JavaScript enabled in your browser to utilize the functionality of this website. To find out if your location is affected Click Here Please only place your order if you accept the current delays. We are working as hard as we can to fulfill the orders, so please bear with us at this hectic time. All orders placed online will be delivered by courier. We are doing our best to get orders out as fast as possible, so please can you bear with us during this hectic time. We are doing our best to get orders out as fast as possible, so please can you bear with us during this hectic time. Look through the list of pdf parts list below and you should be able to find your year alongside the tractor model. This is the complete parts list for your tractor and all the information you will need to identify your spare parts.

<http://slowjamsundays.com/wp-content/plugins/formcraft/file-upload/server/content/files/162862e4ee26be---C253-user-manual.pdf>

We recommend downloading and printing a copy of the pdf for yourself. Page 4 C Series Garden Tractor Safety Instructions Cont. Page 5 Controls Dashboard C Series Garden Tractor Page 7 Controls Levers C Series Garden Tractor Page 9 Cutter Deck Removal C Series Garden Tractor Page 12 C Series Garden Tractor Deck Levelling Page 13 Cutter Drive Belt C Series Garden Tractor CONNECTING PGC TO TRACTOR Fig 28. To connect the Powered. Page 15 Powered Grass Collector C Series Garden Tractor Page 17 Engine Oil C Series Garden Tractor BATTERY Fig 51. The battery is located underneath the. Page 21 Fuses and PCB C Series Garden Tractor Page 22 C Series Garden Tractor Wheels and Tyres. TYRES AND WHEELS 5. Using a flat ended screwdriver, lever off. Page 23 TRACTOR WIRING DIAGRAM. Page Count 3 Brand new and ready to fit. Serial numbers are 7a646084280 46cm0009247 Countax Lawnmower cleaning the cutter deck Jul 02, 2008 Cleaning the cutterdeck on my countax, pretty random, but if you watch this please leave a comment!!!! Countax Rider 30 Repair Manual Yesterdays Hi all Does anybody know where i could get a repair manual for a 10 yr old Countax Rider 30, i've looked everywhere on the net but had no luck. Thanks Workshop repair manual for countax rider 30 SOURCE is it possible to download the repair manual for a. Phone Countax Customer support on 01844 278800. A20 Countax Garden Tractor Operators Manual Countax A20 Lawn Mower User Manual Preview ! Download !! How to Repair a Lawn Mower; how to mend it.com Countax Rider manuals needed. Countax Rider manuals needed. I have a Countax Rider that is always going wrong. It is a hydrostatic drive model. May 14, Agricultural Manuals,

Countax C600H HST Ride on Mower Countax Lawn Mower Countax Garden Tractors Countax Tractors Garden Tractors. Countax garden tractors are much more than just lawn mowers. Dealer Finder. Find details on your nearest Countax dealer.

<https://localhost/travestismexico/paneldecontrol/files/caldera-spas-elation-manual.pdf>

Does anyone know if there is a repair manual for the Countax K15, rather than just an operating manual. Many thanks Jackie how to mend it.com Countax C600H Servicing How to fix anything. Free repair help countax c600h servicing requirements. Repair manual for the A2550HE Countax Dear Sir, Hi is a repair manual available for the A2550HE. Preferably a pdf version I can download. CTX Tractor Manual 09 Free download as PDF File .pdf, Text File .txt or read online for free. Ask your dealer to stamp the appropriate box at the same time as your Service Record Card. C300H 9.69 3000rpm Honda Petrol 241 400 98dbA 250 2.76. trekstor i beat move s bedienungsanleitung PDF Full Ebook May 16, 2010 How to Check the Oil Level in a Honda Mower Jun 21, 2010. Husqvarna Rider 970 Mower. Husqvarna Rider 850HST Mower. Husqvarna Rider 970HST Mower. Husqvarna Rider 1030 Blocllp Mower. Husqvarna Rider 1200 Mower. It is this level of detail, along with hundreds of photos and illustrations, that guide the reader through each service and repair procedure. Top deal of the day Save up to 20% on used v twin engines sale bargains. Abbey Garden Machinery Westwood Tractor Spares. As there are many Westwood tractor models, therefore finding the exact part is not easy. We are the largest online spare parts dealer for Westwood tractors, with thousands of parts in stock. We have a stepbystep process to find your exact parts, in the fastest possible time. Get Started Asset Auctions 2019 LOADERS, NEW HOLLAND TRACTOR These service bulletin downloads have been provided by Countax to help with the finer points of getting the best out of your tractor. C300H 241kgs 530lbs C38H 243kgs 535lbs C550H 243kgs 535lbs C400H 243kgs 535lbs Recommended SAE30 or 10W30 high quality detergent oil classified for service SG, SF, SE.

<http://www.jfvtransports.com/home/content/boss-fv-50l-manual-0>